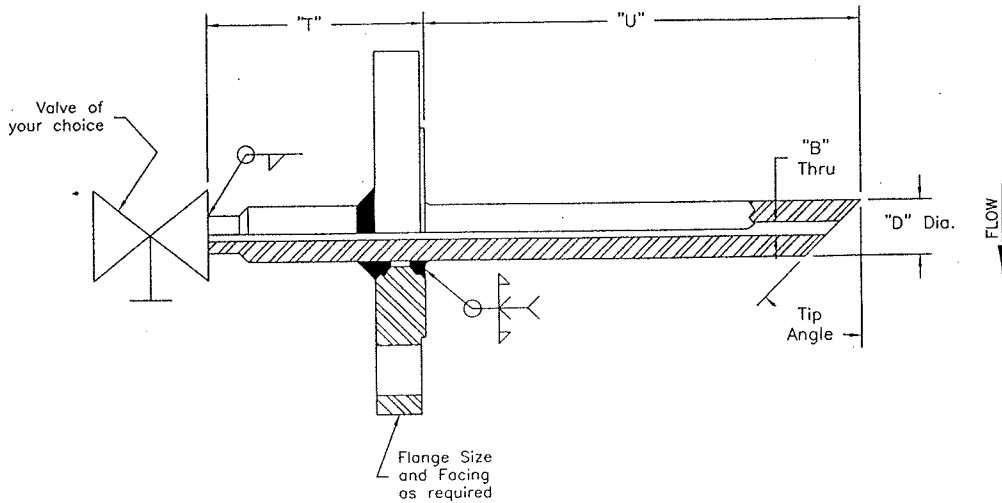


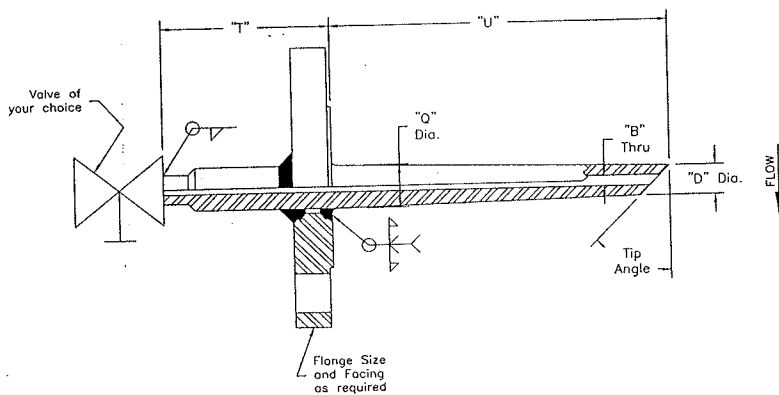
# FLANGE TYPE SAMPLE PROBES

## 820 SERIES - STRAIGHT SHANK



PART NUMBER	B BORE	D	FLANGE
822B	0.260	5/8	Any
* 822C	0.260	3/4	Any
822D	0.260	49/64	Any
822E	0.260	7/8	Any
822F	0.260	1	Any
822G	0.260	1 1/16	Any
824C	0.385	3/4	Any
824D	0.385	49/64	Any
* 824E	0.385	7/8	Any
824F	0.385	1	Any
824G	0.385	1 1/16	Any

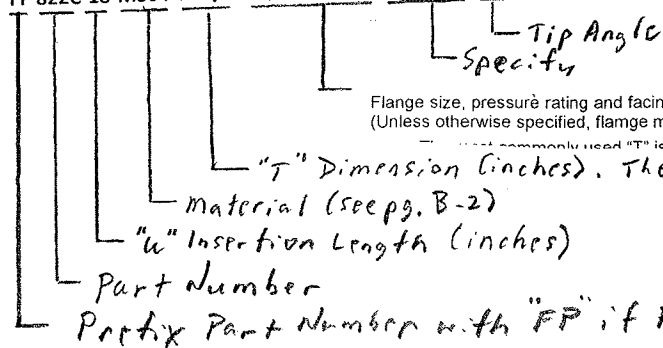
## 830 SERIES - TAPERED SHANK



PART NUMBER	B BORE	Q	D	FLANGE
832CA	0.260	3/4	1/2	Any
* 832EB	0.260	7/8	5/8	Any
832EC	0.260	7/8	3/4	Any
832ED	0.260	7/8	49/64	Any
832FB	0.260	1	5/8	Any
832FC	0.260	1	3/4	Any
832FD	0.260	1	49/64	Any
832GB	0.260	1 1/16	5/8	Any
832KC	0.260	1	3/4	Any
834EC	0.385	7/8	3/4	Any
834ED	0.385	7/8	49/64	Any
834FB	0.385	1	5/8	Any
834FC	0.385	1	3/4	Any
* 834FD	0.385	1	49/64	Any
834GC	0.385	1 1/16	3/4	Any
834KE	0.385	1 1/4	7/8	Any

TO ORDER AND FLANGED TYPE SAMPLE PROBE SPECIFY:

FP 822C-18-M304-T2 <sup>3/4</sup> 1 1/2" 150#RF-VALVE PN-45



Flange size, pressure rating and facing  
(Unless otherwise specified, flange material will be the same as the well material.)

"T" Dimension (inches). The most commonly used is "T" 2 3/4".

Material (see pg. B-2)

"u" Insertion Length (inches)

Part Number

Prefix Part Number with "FP" if Full Penetration weld is required.

1. Items preceded by an asterisk are the most commonly ordered sizes.

2. Flow arrow stamped on flange edge.

3. Unless otherwise specified valve handle faces downstream.

4. The sample probes shown above are typical designs. Whether you have an existing design or would like to develop a new design, we would appreciate the opportunity to quote on your requirements.